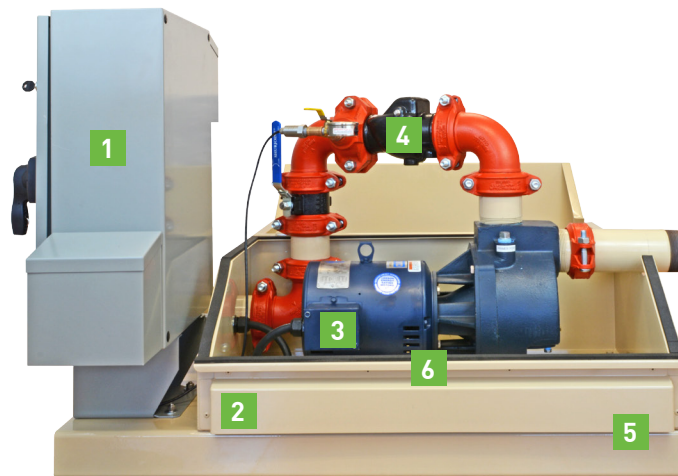
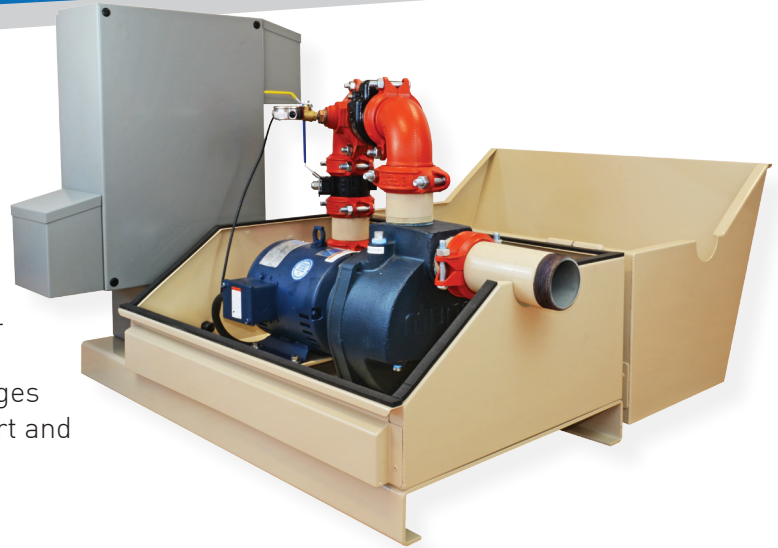


Munro Systems

Simplicity 70VFD Pump Stations

This self-contained pumping station is a low-maintenance, high-value solution for a large residential or small agricultural, municipal, or commercial irrigation system.

With a variable frequency drive (VFD) and professional-grade pump, the Simplicity 70VFD is an alternative to across-the-line start, which can create pressure changes on low-gallon zones. This system offers a true soft start and soft stop.



1 VARIABLE FREQUENCY DRIVE WITH SMART SOFTWARE – Cost saving and environmentally conscience constant pressure flow control, with pump protection features: pressure surges, loss of prime, rapid cycling, dead heading, over pressure, motor overload, low/high voltage, thru door breaker disconnect. Baseline 3200 compatibility upgrade available.

2 ENCLOSURE – Powder-coated marine-grade aluminum offers durable, non-corrosive housing to stand up to the elements.

3 PUMP – Durable and long lasting centrifugal pumps for boost or suction lift applications, with superior performance to horsepower. Offered in 5 hp, with top-of-the-line components that are only available as costly upgrades on other pumps.

4 FITTINGS AND ACCESSORIES – From our rugged pipe and grooved couplings to the long-lasting hose and electrical components included, the Simplicity 70VFD is complete with everything you need.

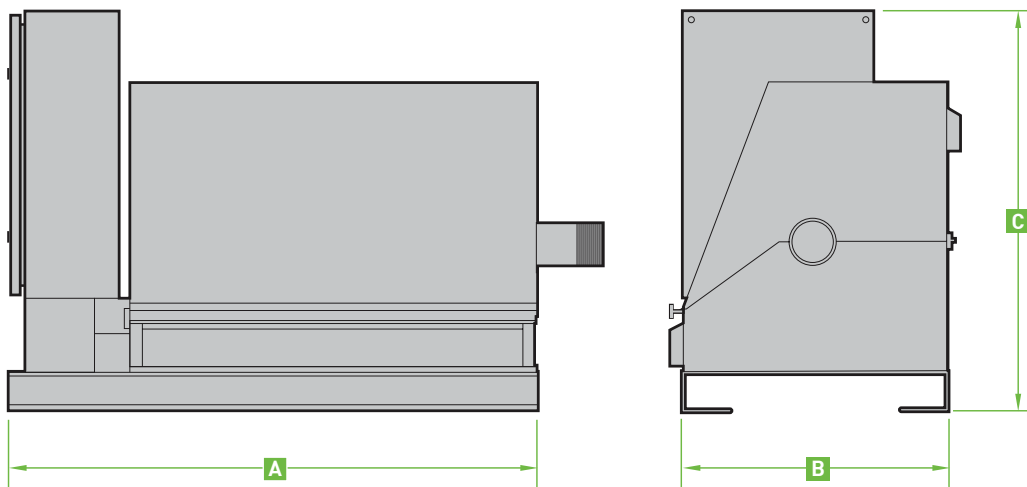
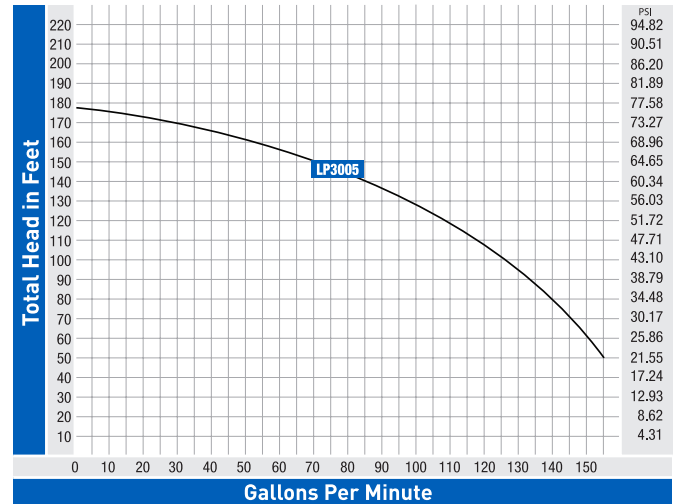
5 SELF COOLING – Vented for air flow to keep the pump cool.

6 SECURITY – Panel and enclosure lockable.

Simplicity 70VFD Pump Stations

The Simplest Professional-Grade Pump Station

- **Simple specifying** – One part number, one product. It doesn't get any easier than that.
- **Simple controls** – No throttling valves or dampeners means fewer controls for simpler operation.
- **Simple maintenance** – Lower operating speeds means longer life for bearings and motors, while a soft-start and controlled ramp-up eliminate water hammering.



Dimensions

A	B	C
44"	22 1/8"	33 1/2"

Specifications

HP	Incoming Power	Voltage	Starting Method	Discharge	Suction	Control	Approx Ship Weight/Lbs	Model Number
5	1ph or 3ph	208-230-460	PRESSURE/CLOCK	3"	3"	VFD	232	Simplicity70VFD-5(1/3)